

Steelforce Pro 671 SLS 90°

Dual step, sit-stand, height electrically adjustable

| | |
|------------------------------------|-----------------------|
| Height (mm) | min. 615 / max. 1275 |
| Stroke (mm) | 660 |
| Speed (mm/s) | 39 |
| Width main unit (mm) | min. 1100 / max. 1700 |
| Width ancillary unit Standard (mm) | min. 1050 / max. 1650 |
| Width ancillary unit XL (mm) | min. 1450 / max. 1650 |
| Length of feet | 2x 750 mm / 1x 600 mm |
| Column size (mm) | 60 x 90 |
| Dynamic capacity (kg) | 150 |
| Noise dB(A) | <55 |
| Power | V 220 - 240 |
| Plug type | Replaceable |
| Weight (kg) | 50,5 |

Legs, feet, top supports and crossbars made of powder-coated steel.
Soft start & stop function.
Spindle lifting system and low energy consumption.

Surface colour Standard version

| | |
|---------------|----------------------------------|
| Pure Silver | <input type="radio"/> |
| Traffic White | <input type="radio"/> |
| Jet Black | <input checked="" type="radio"/> |

Packing dimension single unit

Box 1. 945 x 275 x 168 (LxWxH - mm)
Box 2. 945 x 275 x 168 (LxWxH - mm)

Packing dimension pallet (12 frames)

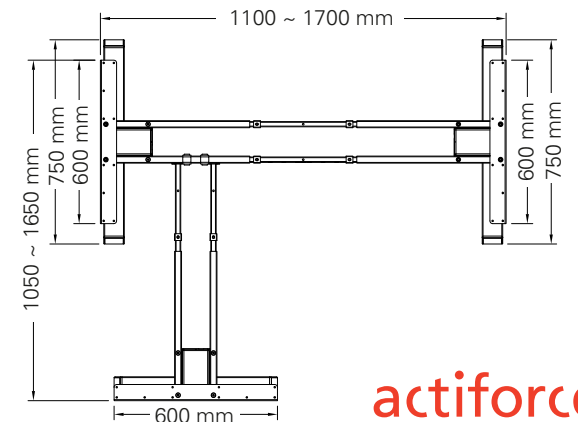
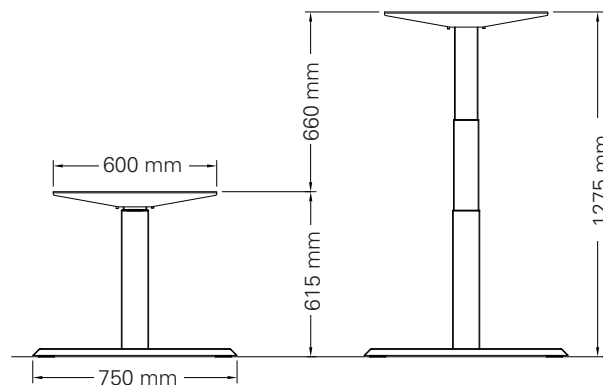
1140 x 1130 x 1210 (LxWxH - mm)

Accessories

Please see the accessories section to personalise your height adjustable frame.



Tested according to IEC 60335-1 by Intertek.



actiforce